



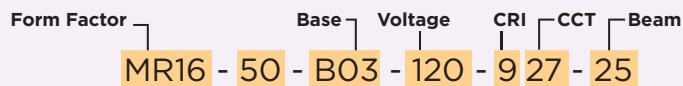
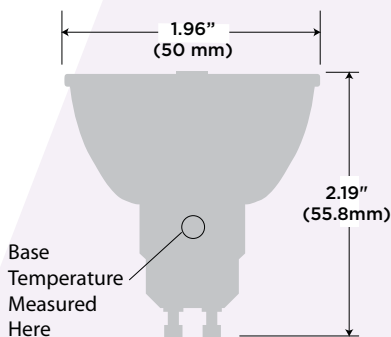
SORAA LED MR16 LAMPS GU10 BASE- U.S.

Product Family	Reference Number	Product Code	Beam	Field	CBCP	Watts	Halogen Equivalent*	SNAP Compatible	Lumens
VIVID 2 2700K 10W 95 CRI 95 R9	MR16-50-B03-120-927-10	00353	10°	20°	5780	10	50W		390 (39 lm/W)
	MR16-50-B03-120-927-25	00369	25°	42°	1700	10	50W	No	400 (40 lm/W)
	MR16-50-B03-120-927-36	00379	36°	60°	1000	10	50W	No	400 (40 lm/W)
	MR16-50-B03-120-927-60	00389	60°	110°	340	10	50W	No	400 (40 lm/W)
VIVID 2 3000K 10W 95 CRI 95 R9	MR16-50-B03-120-930-10	00351	10°	20°	5920	10	50W		400 (40 lm/W)
	MR16-50-B03-120-930-25	00367	25°	42°	1760	10	50W	No	400 (40 lm/W)
	MR16-50-B03-120-930-36	00377	36°	60°	1040	10	50W	No	410 (41 lm/W)
	MR16-50-B03-120-930-60	00387	60°	110°	360	10	50W	No	410 (41 lm/W)
VIVID 2 5000K 10W 95 CRI 95 R9	MR16-50-B03-120-950-10	00361	10°	20°	6220	10	50W		420 (42 lm/W)
	MR16-50-B03-120-950-25	00371	25°	42°	1880	10	50W	No	440 (44 lm/W)
	MR16-50-B03-120-950-36	00381	36°	60°	1100	10	50W	No	440 (44 lm/W)
	MR16-50-B03-120-950-60	00391	60°	110°	380	10	50W	No	440 (44 lm/W)
PREMIUM 2 2700K 80 CRI	MR16-65-B03-120-827-10	00359	10°	20°	6600	10	65W		450 (45 lm/W)
	MR16-65-B03-120-827-25	00365	25°	42°	2000	10	65W	No	470 (47 lm/W)
	MR16-65-B03-120-827-36	00375	36°	60°	1180	10	65W	No	470 (47 lm/W)
	MR16-65-B03-120-827-60	00385	60°	110°	400	10	65W	No	470 (47 lm/W)
PREMIUM 2 3000K 80 CRI	MR16-65-B03-120-830-10	00357	10°	20°	7120	10	65W		480 (48 lm/W)
	MR16-65-B03-120-830-25	00363	25°	42°	2140	10	65W	No	500 (50 lm/W)
	MR16-65-B03-120-830-36	00373	36°	60°	1260	10	65W	No	500 (50 lm/W)
	MR16-65-B03-120-307-60	00383	60°	110°	440	10	65W	No	500 (50 lm/W)



Recommended For Enclosed Fixtures

Specifications are for lamps at stable operating conditions in well ventilated fixtures (25°C ambient) *Energy Star Minimum



The diagram above shows how to read the different components of the reference number. Base type BO1 refers to the GU 5.3 base.