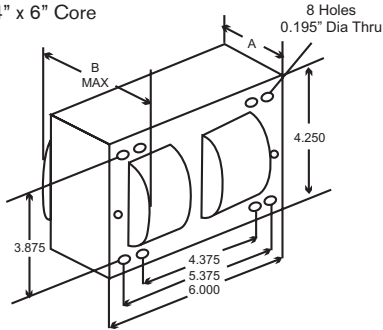


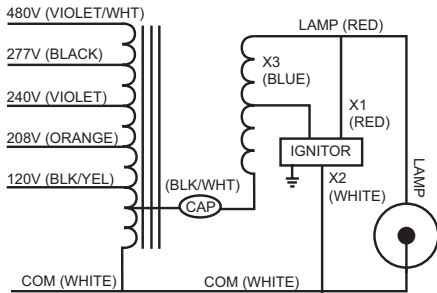


PHYSICAL DIMENSIONS

4 1/4" x 6" Core

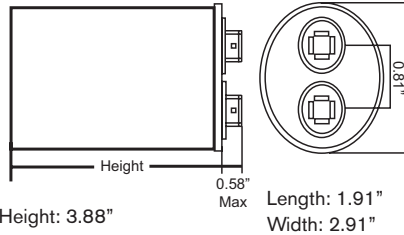
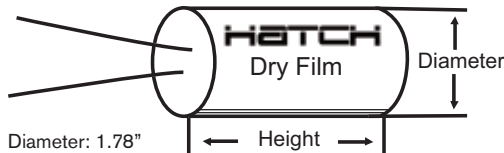


WIRING DIAGRAM

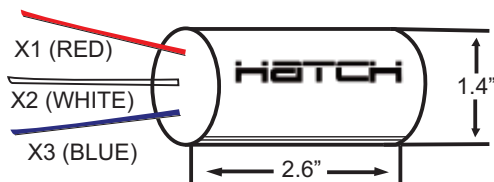


CAPACITOR

Dry Type or Oil Oval



IGNITOR



Pulse Height (kV): 3.0 ~ 4.0

Pulse Width ($\geq \mu\text{s}$): 1.5 @ 2.7kV



**2 YEAR WARRANTY FROM
DATE OF MANUFACTURE**

MAGNETIC HID BALLAST

Ballast Type	Magnetic Pulse Start	Circuit Type	CWA
Lamp	750W Metal Halide M149 OR M181	Frequency	60Hz

ELECTRICAL SPECIFICATIONS

Input Voltage (V)	Five Tap					
	120	208	240	277	480	
Line Current (A)	Operating	7.2	4.1	3.6	3.1	1.8
	Open Circuit	5.6	3.2	2.8	2.5	1.6
	Starting	4.0	2.4	2.1	1.8	1.2
Recommended Fuse	20	10	10	8	6	
Input Voltage At Lamp Dropout	65	110	130	140	250	
UL Class H 180°C Temp. Code	B	B	A	A	A	
UL Class N 200°C Temp. Code	A	A	A	A	A	
Nom. Open Circuit Voltage	371					
Input Power (W)	810					
Power Factor (\geq %)	90					
Regulation (\pm %)	Line Volts	10				
	Lamp Watts	10				
Min. Starting Temp	-20°F / -30°C					
Ballast Dimensions (inches)	A	2.83				
	B	4.8				
Ballast Net Weight (lbs)	18.8					
Lead Length (inches)	12					
Capacitor	Capacitance (μF)	24				
	Min VAC Rating (V)	480				
Requires Ignitor Model	GMHR2					
Coil Material (Pri/ Sec.)	Cu / Al					

60 HZ. TEST PROCEDURES

Short Circuit Current (A)	Secondary	Min	4.0				
		Max	6.1				
	Input	Min	2.0	1.2	1.0	0.9	0.5
		Max	6.0	3.5	3.1	2.6	1.5
Open Circuit Voltage (V)	Min	330					
	Max	410					
High Potential Test (V)	1 Minute	2000					
	1 Second	2400					

REFERENCE LAMP DATA

	Test Range	ANSI Standard
Starting Current (A)		4.0 ~ 6.1
CCF	1.5	≤ 1.8
OCV (V)	330 ~ 410	
Off Time (Sec.)	2.2	≤ 2.4
Peak Current (A)	9.5	≤ 10.6
Overshoot (V)	62	≤ 100
VSS (V)	360	≥ 310

OPTIONAL FEATURES

(ADD SUFFIX FOR OPTIONS)

-WB	With welded bracket
-I	With ignitor
-DC	With dry film capacitor
-OC	With oil filled capacitor
-K	With distributor replacement kit (includes bracket, capacitor and ignitor as necessary)