

1 LAMP BALLASTS

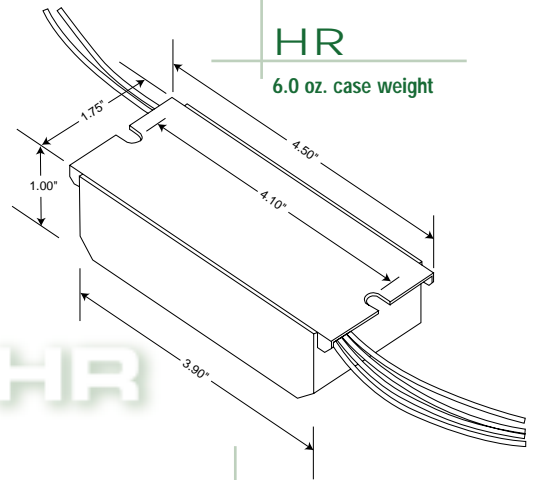
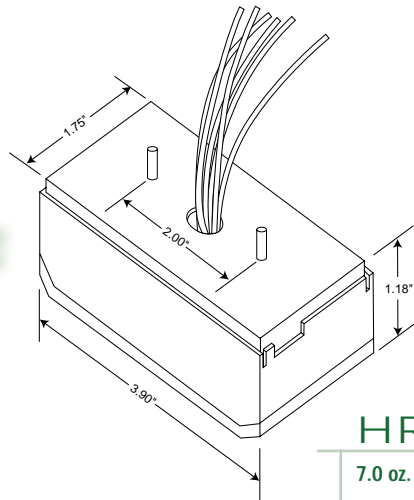
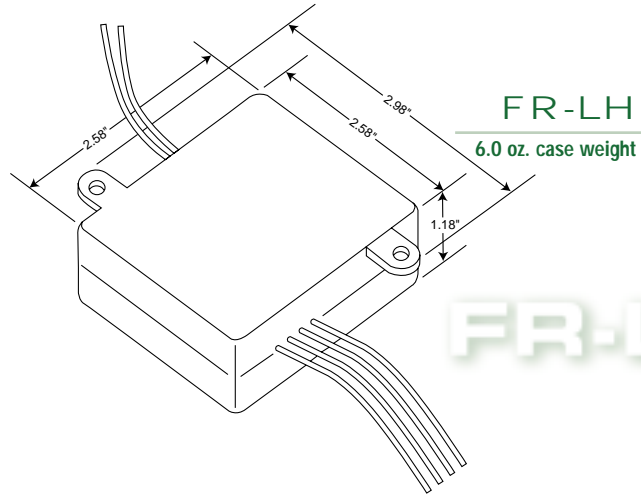
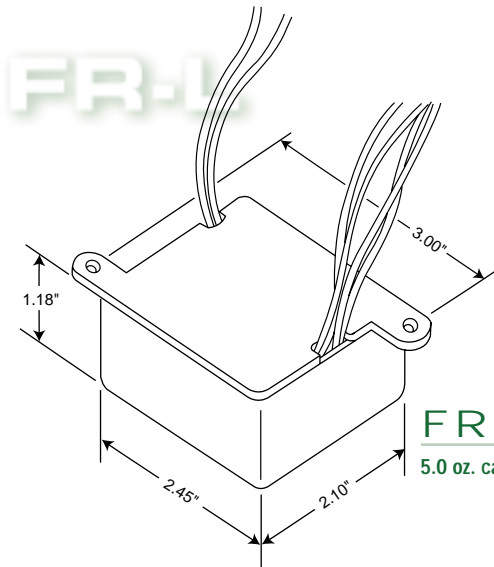
1 L A M P B A L L A S T

Watts	GE2D	GE BIAx	OSRAM	PHILIPS	No. Lamps	Input Volts	Input Amps	Case Style	Hatch Item Number
10	F10/2D/4P	F10DBX	CF10DD/E DULUX D/E 10		1	120	0.11	FR-LH	FR1000LH
								FR-L	FR1000L
						230	0.06	FR-LH	FR1000-230
								FR-L	FR1000-277L
13		F13DBX F13TBX	CF13DD/E DULUX D/E 13	PL-C 13W/4P	1	120	0.13	FR-LH	FR1300LH
								FR-L	FR1300L
						230	0.07	FR-LH	FR1300-230
								FR-L	FR1300-277L
18	F16/2D/4P	F18BX F18DBX F18TBX	CF18DD/E CF18DT/E/IN DULUX L 18 DULUX D/E 18 DULUX T/E/IN18	PL-C 18W/4P PL-T 18W/4P PL-L 18W	1	120	0.15	FR-LH	FR1800LH
								FR-L	FR1800L
						230	0.08	FR-LH	FR1800-230
								FR-L	FR1800-277L
21	F21/2D/4P				1	120	0.17	FR-LH	FR2100LH
								FR-L	FR2100L
						230	0.10	FR-LH	FR2100-230
								FR-L	FR2100-277L
26	F28/2D/4P	F27BX F26DBX F26TBX	CF26DD/E CF26DT/E/IN DULUX L 24 DULUX D/E 26 DULUX T/E/IN 26	PL-C 26W/4P PL-T 26W/4P PL-L 24W	1	120	0.21	FR-LH	FR2600LH
								FR-L	FR2600L
						230	0.11	FR-LH	FR2600-230
								FR-L	FR2600-277L
32		F32TBX	CF32DT/E/IN DULUX T/E/IN 32	PL-T 32W/4P	1	120	0.26	FR-LH	FR3200LH
								FR-L	FR3200L
						230	0.14	FR-LH	FR3200-230
								FR-L	FR3200-277L
38	F38/2D/4P	F39BX	FT36 DL DULUX L-36	PL-L 36W	1	120	0.31	FR-LH	FR3200LH
								FR-L	FR3200L
						230	0.16	FR-LH	FR3200-230
								FR-L	FR3200-277L
42		F42TBX F42QBX	CF42DT/E/IN DULUX T/E/IN 42	PL-T 42W/4P	1	120	0.36	FR-LH	FR4200LH
								FR-L	FR4200L
						230	0.19	FR-LH	FR4200-230
								FR-L	FR4200-277L



CASE STYLES

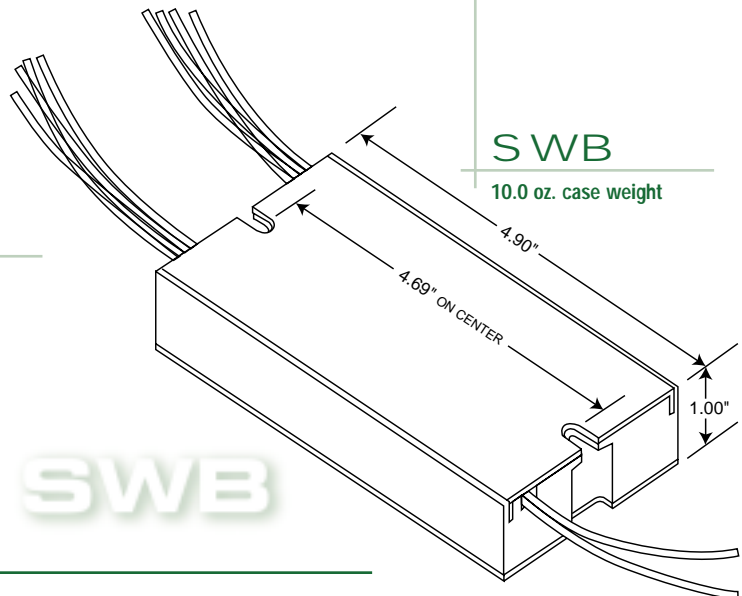
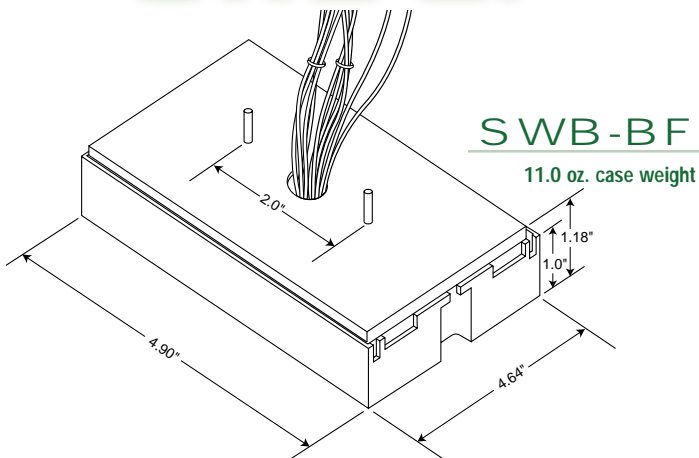
CASE STYLES



HR-BF

7.0 oz. case weight

SWB-BF



SWB

WIRING DIAGRAMS

WIRING DIAGRAMS

DIAGRAM A

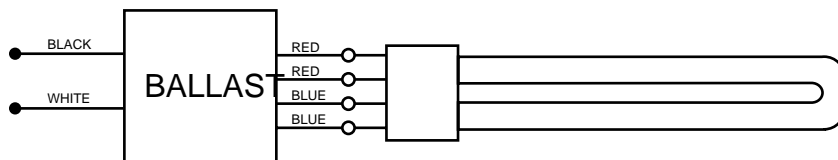


DIAGRAM B

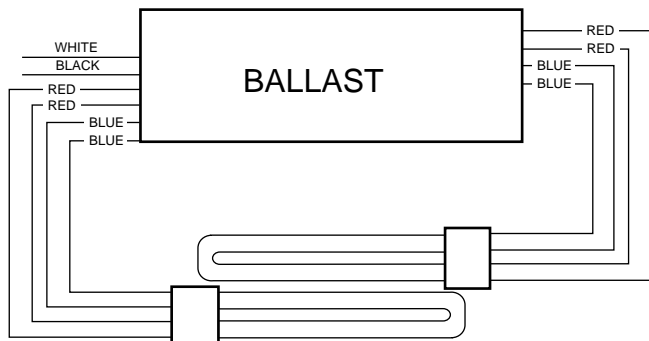


DIAGRAM C

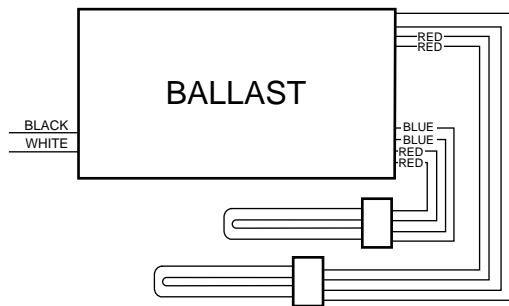


DIAGRAM D

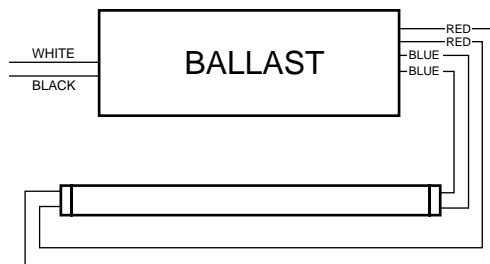
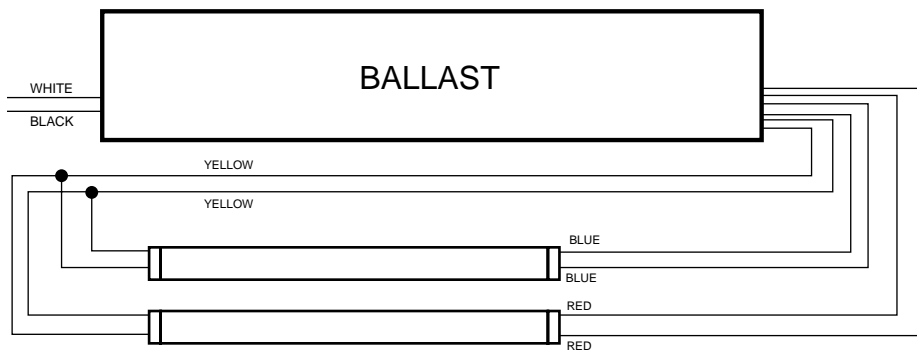


DIAGRAM E



Compact Fluorescent Hardwire Ballast Features:

- Auto Restart After Hot Relamp
- Deactive Lamp Protection Circuit
- Flicker Free Operation
- High Power Factor
- Low THD
- 100% Factory Tested
- High Reliability
- No Audible Noise
- True Preheat Starting
- No Starting Aid Required
- Energy Efficient
- High Frequency Operation
- Solid State
- Moisture and Shock Resistant
- No PCBs
- Bottom Feed Models Available

Environmental Specifications

Maximum Case Temperature	80°C at "T" point
Minimum Starting Temperature	-25°C
Sound Rating	A+
Operating Humidity	95% relative humidity, non-condensating
Environmental Protection	Epoxy Sealed for moisture resistance and shock vibration resistance
Safety Listing	UL Listed, C-UL, Class P Type 1 outdoor

Electrical/Mechanical Specifications

Color	White	Current Crest Factor	≤ 1.7
Weight	See Case Styles	Open Circuit Protected	Yes
Operating Frequency	50 KHz +	RFI Suppression	Yes
Power Factor	≥ 0.99	Input Leads 10 ^{5/8} " 18 AWG solid 105 degree C stripped 3/8"	
Total Harmonic Distortion	5-13% depending on lamp/ballast combination	Output Leads 10 ^{5/8} " 18 AWG solid 105 degree C stripped 3/8"	
Deactive Lamp Protection	Yes	Meets ANSI 15 C62.41, ANSI C82.1 CLASS P	
Auto Restart After Hot Relamp	Yes	Built with two threaded studs, 2" on center and bottom center feed wiring, for easily replacing magnetic ballasts.	
Input Voltage	120V 50/60 Hz 230V 50 Hz (special order) 277V 60 Hz		

HATCH
TRANSFORMERS, INC.

