



Reflector Infrared BR40, PAR38

Ref IR 100W PAR38 CL 1CT

Philips Family of Specialty Incandescents provide the perfect light for dramatic accents and display lighting as well as general lighting in a variety of applications. Philips Infrared lamps are suited for heating and drying in industrial and commercial applications. These incandescent, gas-filled infrared heat lamps come up to full temperature almost immediately, eliminating costly warm-up time. Highly efficient heat generators that produce a minimum of light rays and a high amount of infrared radiation. The BR40 lamp provides a built-in reflector for radiant energy control.

Product data

• General Characteristics

Base	Medium Skirted [Skirted Medium Screw (PAR Lamps)]
Bulb	PAR38 [PAR 4.75 inch/121mm]
Bulb Material	Hard Glass
Bulb Finish	Clear
Operating Position	Universal [Any or Universal (U)]
Main Application	Infrared Industrial
Nominal Lifetime	5000 hr
Rated Lifetime (hours)	5000 hr

• Light Technical Characteristics

Color Designation	C
-------------------	---

• Electrical Characteristics

Watts	100 W
Voltage	120 V
Dimmable	Yes

• Product Dimensions

Overall Length C	135 (max) mm
Overall Length Rim C1	123 (max) mm
Diameter D	121 mm

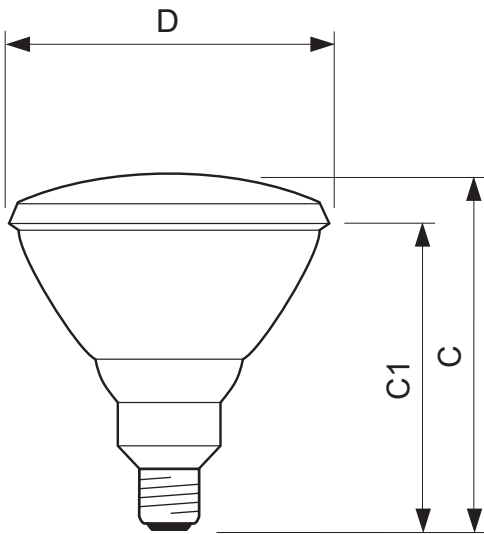
• Product Data

Product number	145508
Full product name	Ref IR 100W PAR38 CL 1CT
Short product name	100PAR38/HEAT/CL 120V 12/1
Pieces per Sku	1
eop_pck_cfg	12
Skus/Case	12
Bar code on pack	46677221911
Bar code on case	50046677145502
Logistics code(s)	923800836307
eop_net_weight_pp	308.000 gr

PHILIPS

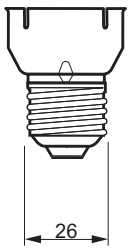
Reflector Infrared BR40,PAR38

Dimensional drawing



Refi IR 100W PAR38 CL 1CT

Product	C (Min)	C (Norm)	C (Max)	C1 (Min)	C1 (Norm)	C1 (Max)	D (Min)	D (Norm)	D (Max)
IR100C PAR38 E26/50x39 120V	-	-	135	-	-	123	-	121	-



E26/50x39



© 2014 Koninklijke Philips N.V. (Royal Philips)
All rights reserved.

Specifications are subject to change without notice. Trademarks are the property of Koninklijke Philips N.V. (Royal Philips) or their respective owners.

www.philips.com/lighting

2014, July 29
data subject to change